

NBC230, 430 Earth Leakage Circuit Breaker



NBC230
earth leakage
with test button

NBC230
circuit breaker



NBC430
circuit breaker

Application

NBC230 Breaker are suitable in AC 50Hz,250/440V circuit with overload and earth leakage protection. The rated current is adjustable from 10A up to 60A. User can select suitable current to better protection against overload and short circuit. The products comply with NFC61450.

Technical specification

Type	NBC230	NBC430
Poles	2P	4P
Rated voltage (V)	250V/440V	
Rated current (A)	10,15,20,25,30,45,50,60A Adjustable	
Leakage motion current (mA)	300mA,500mA	
Leakage dead current (mA)	150mA,250mA	
Accord with standard	NFC 61450	

KD-L & ELP-2530S SERIES Earth Leakage Circuit Breaker

Application

KD-L server earth leakage circuit breaker is used to AC 230V,50Hz current to 30A, it used to body electricity and overload protection it used to prevent from fire risk also to device destroy.

It also used to protect wire overload type 1 and type 3 must use with fuse cut-out.

This earth leakage circuit breaker is AC electronic snap-action type. The product is complied with IEC(755-1922 and GB6829-1955, GB16916, 1-1997 standard). The production win "CCC" CQC certificate.

Specification and technical data

ELCB basic parameter

Rated Voltage (V)	Frequency (Hz)	pole	Rated Current(A)		Rated Sensitivity Current (mA)	Rated Non-Sensitivity Current (mA)	Operating Time(s)	
			with load trip(A)	without load trip(A)			$I\Delta n$	0.25A
220-240	50-60Hz	2	10,16,20,30	20,30	30,15,10	15,7.5,6	0.1	0.04

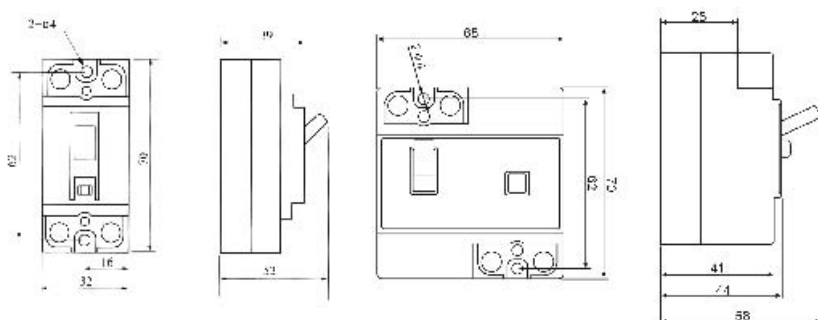
Serial No.	Examination Current	Incept State	Examination Current
1	1.13In	cold	$t \geq 1h$ non Actuation
2	1.45In	hot	$t < 1h$ Actuation
3	2.55In	cold	$1 < t < 60s$ Actuation



KD-L2123J(NEW)

KD-L2123J
COVER

Dimensions(mm)



KD-LS2123